

## **DOWNFORCE – INTAKE MANIFOLD**

### **INSTALLATION AND USER'S INSTRUCTIONS**

Thank you for purchasing the Intake Manifold Cover from Downforce.

Before beginning any removal or installation, please take time to thoroughly read through the instructions. The air scoop will not affect the operation of your smog equipment on your car. This instruction is available for download online at <http://www.downforce.biz/manual/>

- There are several WARNING sections in the installation. Always read and follow the instruction to prevent injuries, accidents, and possible damage to the vehicle.
- Downforce and its dealers are not responsible for injuries, accidents, and damage to persons and property that arise from the use of this product.

<b>PART NAME</b>	<b>INTAKE MANIFOLD COVER</b>
<b>PART NUMBER</b>	<b>DF-50099</b>
<b>VEHICLE</b>	<b>ACURA NSX 1991-2005</b>

## 1 Requirements

This product will not work with several aftermarket supercharger kits such as the Comptech and Gruppe-M. You will need a clear view and ample working space to access the manifold cover.

## 2 Tools and Equipments Needed

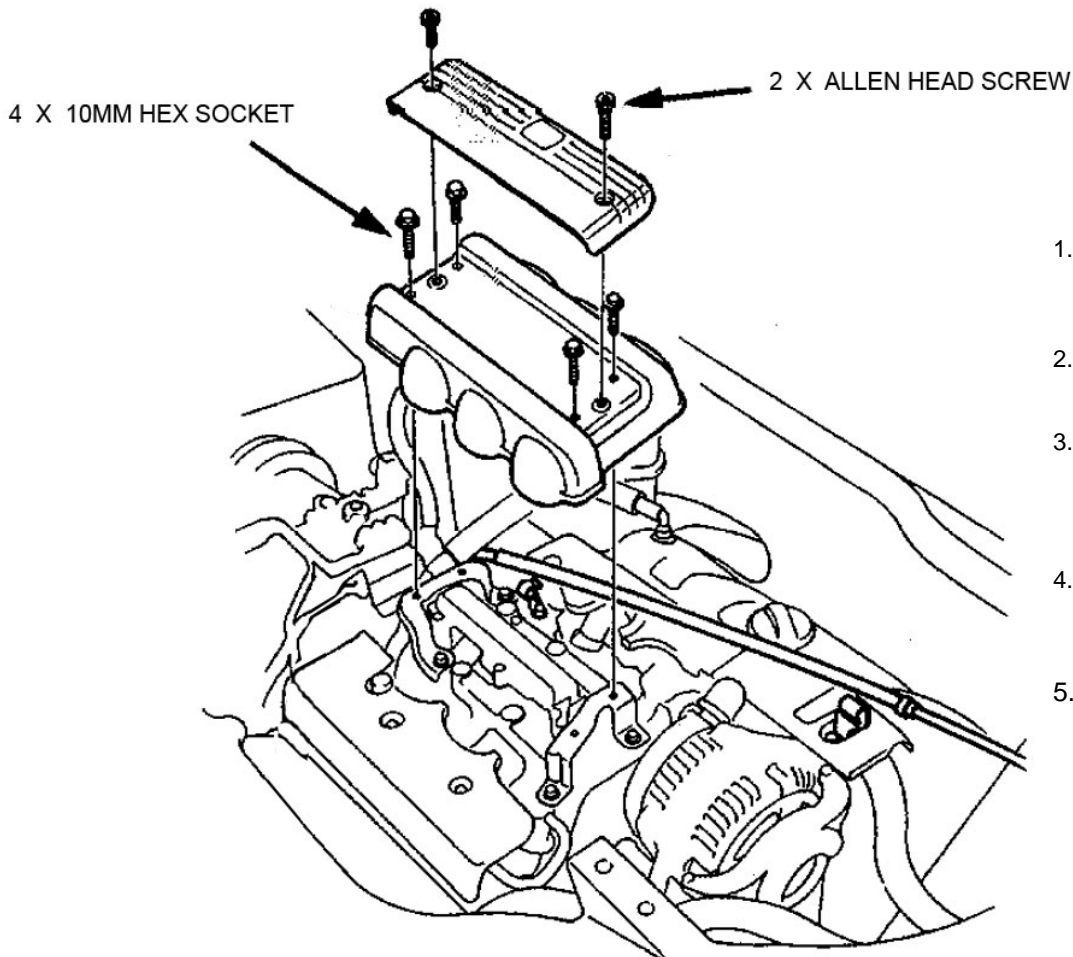


10mm Metric Ratchet  
(with extension)



Allen Wrench  
(Metric)

## 3 Intake Manifold Removal



- 1.) Use a metric allen head wrench to loosen and remove the top 2 bolts.
- 2.) Remove the top plastic cover.
- 3.) Use the 10mm socket ratchet to loosen and remove the 4 bolts under the plastic cover.
- 4.) Remove the factory intake manifold cover and replace with the new cover.
- 5.) Reverse the steps to install.